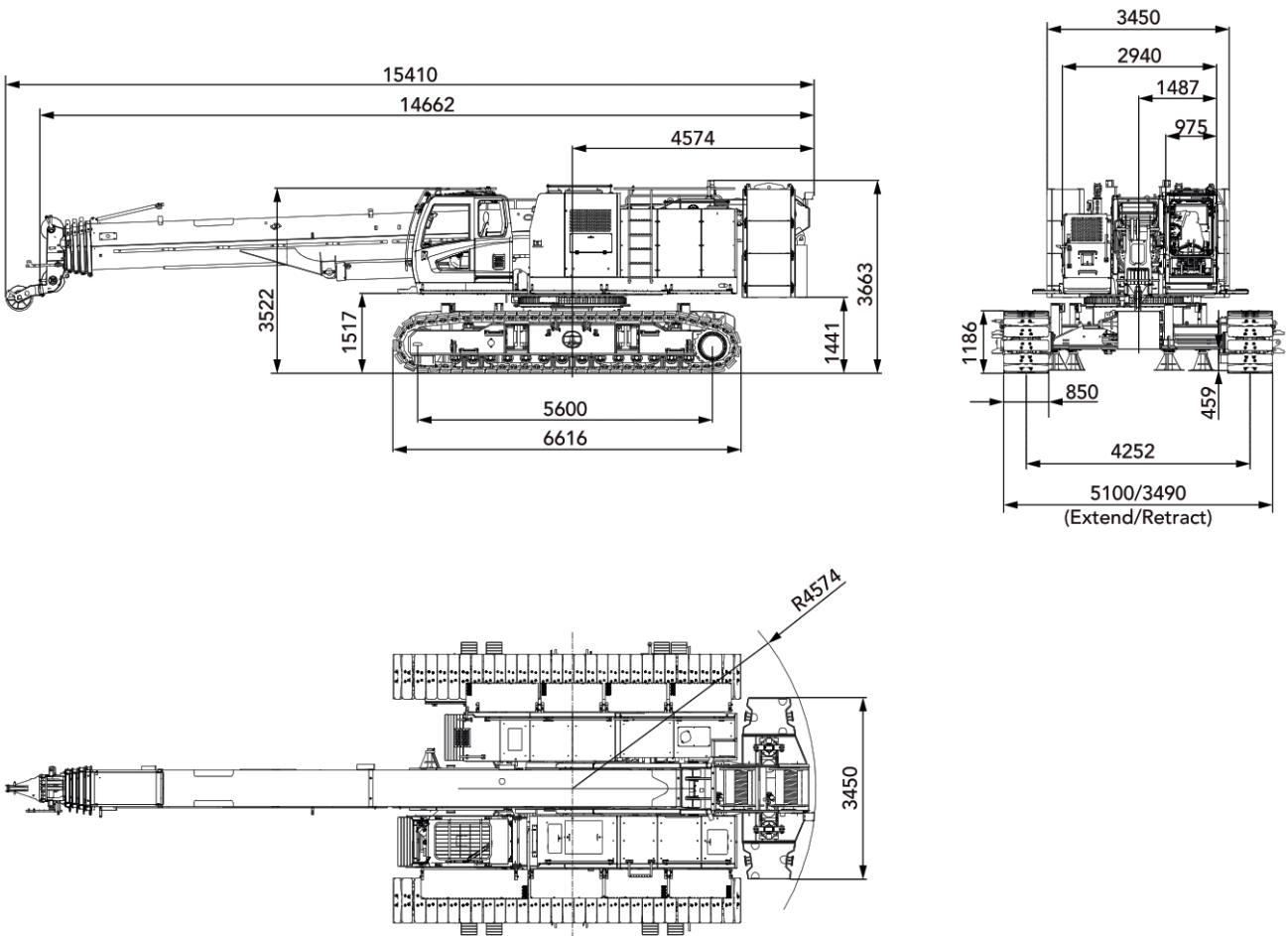


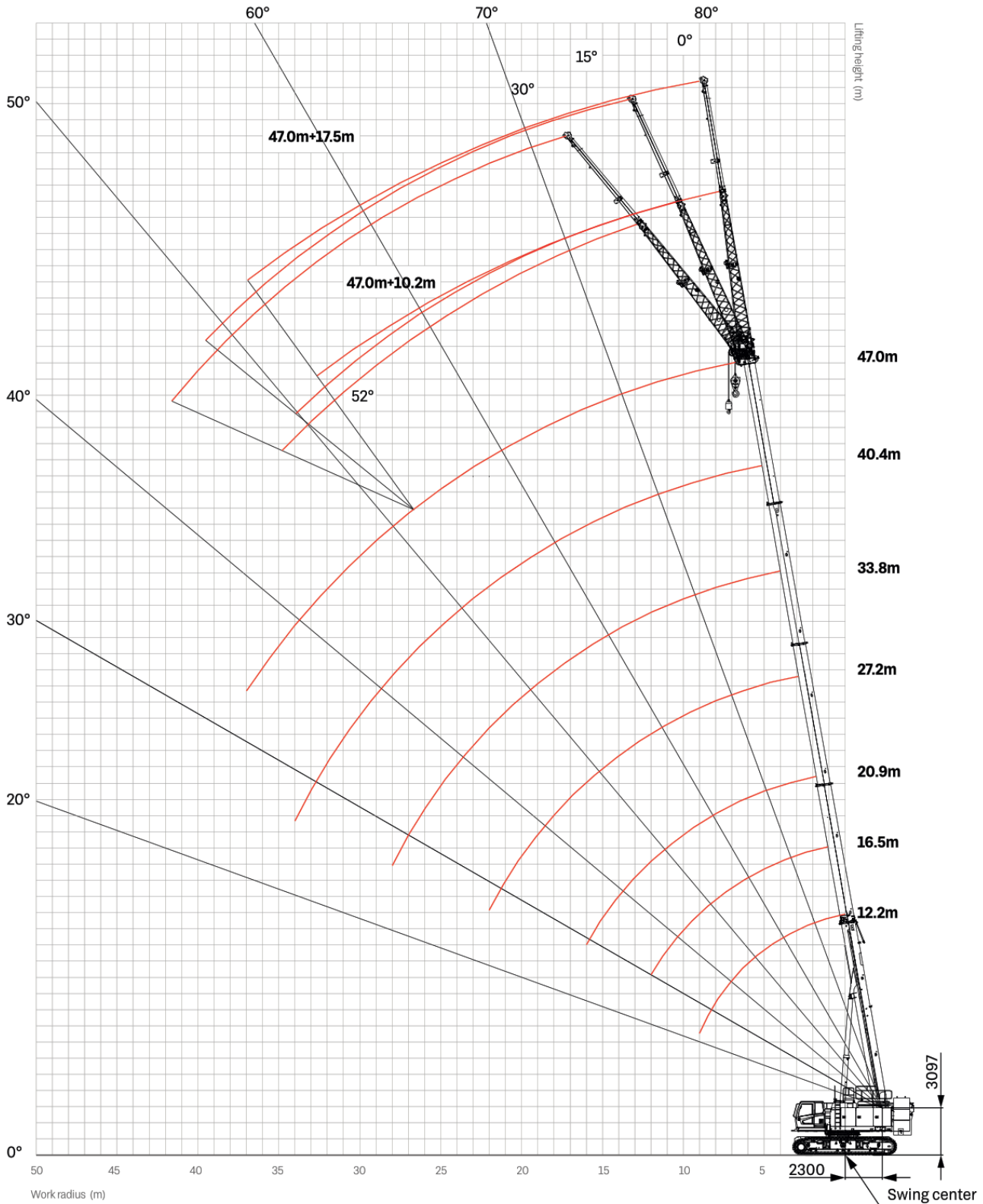


Sany SCE800TB-EV

Telescoopkraan



Sany SCE800TB-EV
 Rupskraan



Radius (m)	Boom length (m)															Radius (m)
	12.2	16.5	18.7	20.9	23	25.2	27.2	29.5	31.8	33.8	36	38.3	40.4	42.5	47	
3	77.5	65.0														3
3.5	60.3	53.4														3.5
4	55.1	49.5	30.0	43.0												4
4.5	43.2	40.0	30.0	36.5												4.5
5	40.0	38.4	30.0	35.3	30.0	27.0										5
5.5	32.0	31.1	30.0	29.1	29.8	26.0										5.5
6	30.3	30.0	29.0	28.7	29.0	25.0	27.5	25.0								6
6.5	24.7	24.4	26.1	23.7	25.2	24.5	24.0	23.6								6.5
7	24.0	23.7	25.5	23.5	24.9	24.0	23.2	21.0	19.0	22.0						7
7.5	19.8	19.5	21.2	19.4	20.7	22.1	20.2	20.3	18.0	19.8						7.5
8	19.6	19.3	21.1	19.1	20.6	21.8	19.9	20.7	17.0	19.4	18.0					8
9	16.3	16.0	17.8	15.8	17.3	18.4	16.9	18.0	16.0	17.0	16.8		15.8			9
10		13.5	15.2	13.3	14.7	15.9	14.4	15.4	15.0	15.0	15.6	11.0	14.7	11.0		10
11		11.5	13.2	11.4	12.7	13.8	12.4	13.4	14.0	13.1	13.8	10.5	13.1	10.8	11.0	11
12		9.9	11.5	9.7	11.1	12.2	10.8	11.8	12.6	11.4	12.2	10.2	11.8	10.5	11.0	12
14			9.0	7.3	8.6	9.7	8.3	9.2	10.0	8.9	9.6	9.6	9.3	9.9	9.6	14
16				5.5	6.8	7.8	6.5	7.4	8.2	7.1	7.8	8.4	7.5	8.1	7.8	16
18					5.4	6.4	5.1	6.0	6.8	5.7	6.4	7.0	6.1	6.7	6.4	18
20						5.3	4.0	4.9	5.7	4.6	5.3	5.9	5.0	5.6	5.3	20
22							3.1	4.0	4.8	3.7	4.4	5.0	4.1	4.7	4.4	22
24								3.3	4.1	3.0	3.7	4.3	3.4	4.0	3.7	24
26									3.5	2.4	3.1	3.7	2.8	3.3	3.1	26
28										1.9	2.6	3.2	2.3	2.8	2.6	28
30											2.1	2.7	1.8	2.4	2.1	30
32												2.3	1.5	2.0	1.7	32
34													1.1	1.6	1.4	34
36															1.1	36
38																38
40																40
42																42
44																44
n	10	9	4	6	4	4	4	4	3	3	3	2	2	2	2	n
S2	0	50	0	100	50	0	100	50	0	100	50	0	100	50	100	S2
S3	0	0	25	0	25	50	25	50	75	50	75	100	75	100	100	S3
S4	0	0	25	0	25	50	25	50	75	50	75	100	75	100	100	S4
S5	0	0	25	0	25	50	25	50	75	50	75	100	75	100	100	S5